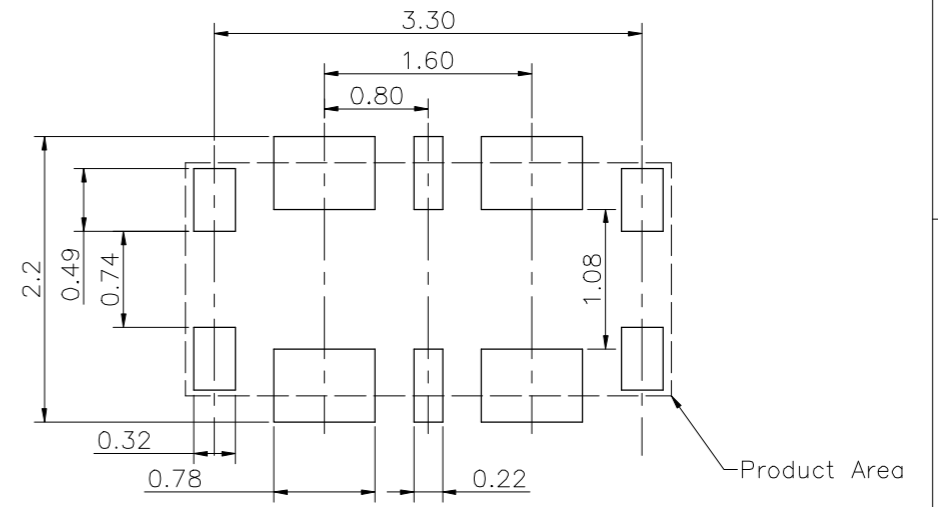
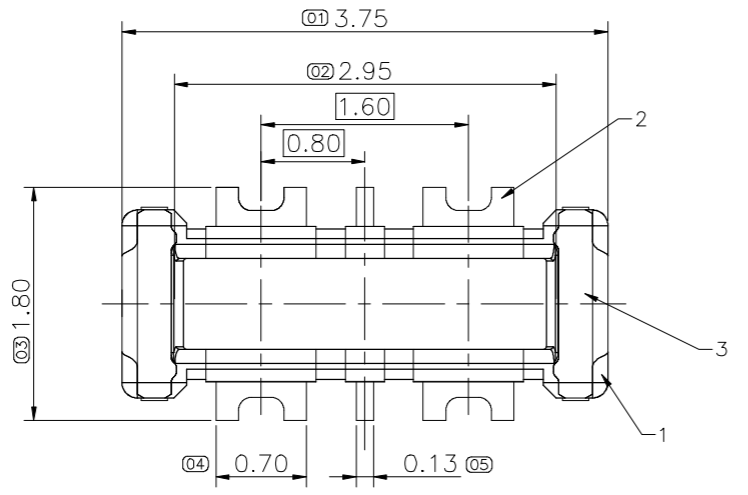
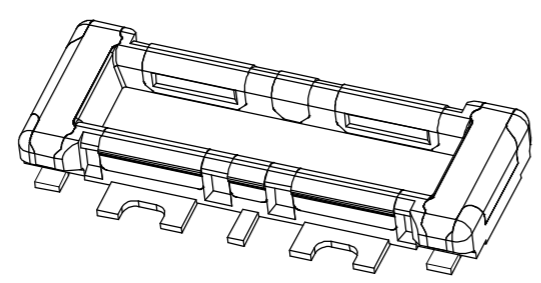
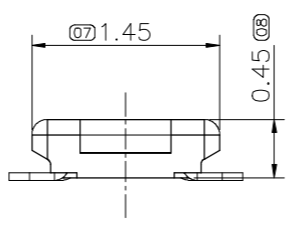
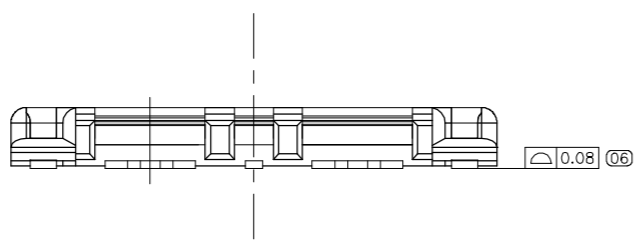


A3

REV	ECN NO	DESCRIPTION	DATE	APPD
X1		Initial Edition	2015.03.10	Bill Zheng



PCB LAYOUT TOLERANCE=±0.03mm



NOTES:

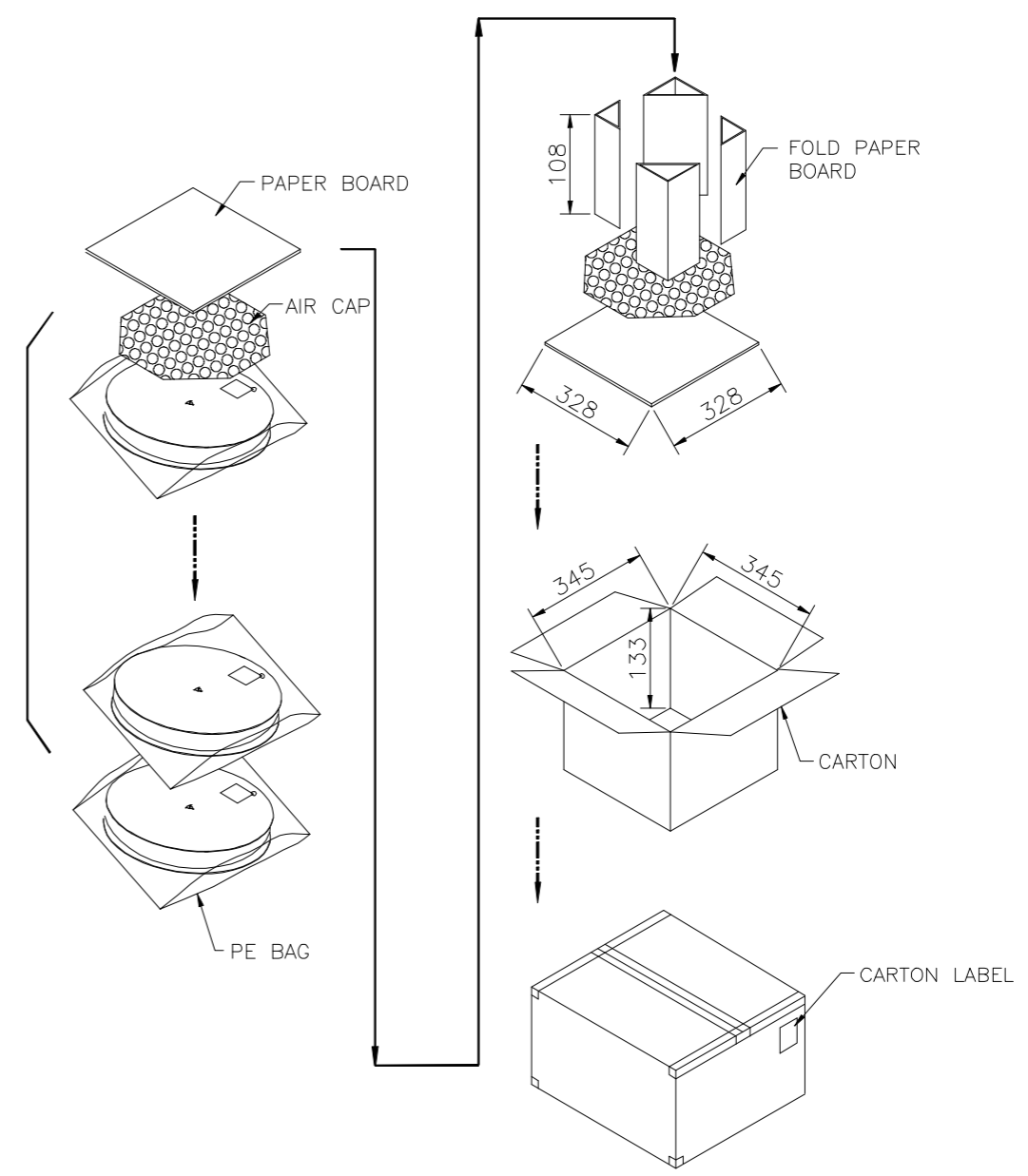
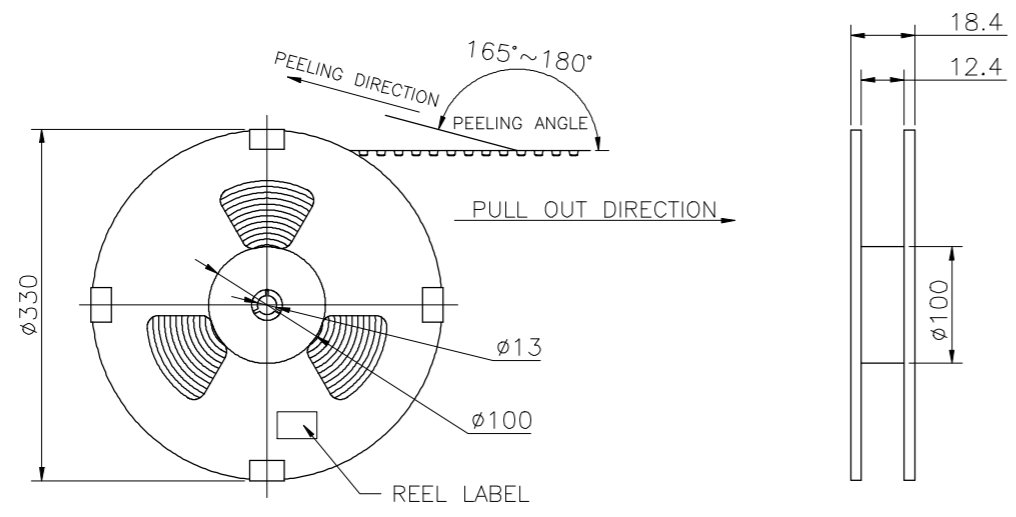
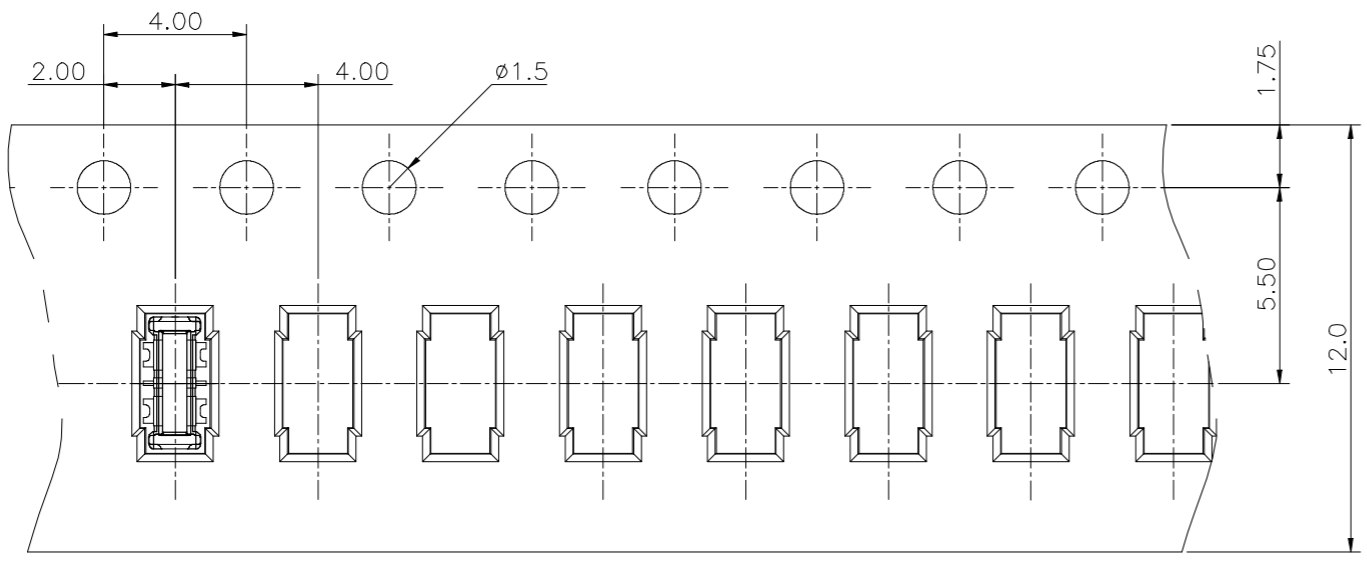
- MATERIAL:
1-1.HOUSING: THERMOPLASTIC,COLOUR: BLACK.
1-2.CONTACT: COPPER ALLOY.
1-3.HOLD DOWN: COPPER ALLOY.
- FINISH:
2-1. CONTACT: NICKEL PLATING OVERALL,Au 1u" MIN PALTING AT SOLDER AREA, Au 5u" MIN AT CONTACT AREA.
2-2. HOLD DOWN: NICKEL PLATING OVERALL,Au 1u" MIN PALTING AT SOLDER AREA.
- COPLANARITY: 0.08MAX.
- THE PRODUCT IS COMPLIANT WITH FAF ENVIRONMENT PROCEDURE REQUIREMENT.

ITEM	DESCRIPTION	Q'TY	MATERIAL	FINISH
3	HOLD DOWN	2	COPPER ALLOY	NICKEL PLATING OVERALL Au PLATING AT SOLDER AREA
2	CONTACT	6	COPPER ALLOY	NICKEL PLATING OVERALL Au PLATING AT CONTACT AREA
1	HOUSING	1	THERMOPLASTIC	MOLDED BLACK,UL94 V-0

EXTEND USE FTB	0.8 Pitch FTB 0.6H M-CONN	TITLE 5.045A0 CONNECTOR Customer Drawing	FAF DWG NO C-5.045A0	
GENERAL TOLERANCE	UNIT mm	MATERIAL	APPD	Bill Zheng 2015.08.10
DIMENSION	ANGLES	QTY	CHD	Bill Zheng 2015.08.10
. ±0.30	. ±3'	FINISHED	DRN	Ted Chen 2015.08.10
.0 ±0.25	.0 ±2'			
.00 ±0.20	.00 ±1'			
.000 ±0.10				
			SHEET	SCALE
			1/2	1:1
			REV	X1

A3

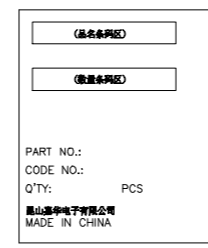
REV	ECN NO	DESCRIPTION	DATE	APPD
		SEE SHEET 1/2		



- NOTES:
1. THE DIRECTION OF EACH CONNECTOR ON A EMBOSS IS REFERRED TO THIS DRAWING.
 2. GENERAL TOLERANCE: ± 0.5 , $\pm 3^\circ$.
 3. PEELING RESISTANCE: 0.1N(10.2gf)~0.7N(71.4gf);
PEELING ANGLE: $165^\circ \sim 180^\circ$;
PEELING SPEED: 300mm/MIN
 4. PACKING QUANTITY: 5000PCS/REEL,25000PCS/CARTON.



REEL LABEL



CARTON LABEL

INFORMATIONS OF THE PACKING

TITLE	P/N	Q'TY/REEL	Q'TY/CARTON
5.045A0 CONNECTOR	5.045A*-***-3R0	5000PCS	25000PCS

EXTEND USE FTB 0.8 Pitch FTB 0.6H M-CONN	UNIT mm	TITLE 5.045A0 CONNECTOR Customer Drawing			
GENERAL TOLERANCE (M)	MATERIAL	APPD Bill Zheng 2015.03.10	DWG NO C-5.045A0		
DIMENSION .0 ± 0.30 .0 ± 0.25 .00 ± 0.20 .000 ± 0.10	ANGLES . $\pm 3^\circ$.0 $\pm 2^\circ$.00 $\pm 1^\circ$	QTY	P/N: 5.045A*-006-3R0		
	FINISHED	DRN Ted Chen 2015.03.10	SHEET 2/2	SCALE 1:1	REV X1